

## Service Trolleys High Platform Trolley 600 mm

ITEM # \_\_\_\_\_

MODEL # \_\_\_\_\_

NAME # \_\_\_\_\_

SIS # \_\_\_\_\_

AIA # \_\_\_\_\_



361236 (STR601HP)

High Platform Trolley 600mm

### Short Form Specification

Item No. \_\_\_\_\_

Constructed in 304 AISI stainless steel. Framework in mm25 tubing, completely welded. Seamless, sound-absorbing, platform shelf with double-folded edges. The handle is an extension of the load-bearing frame. N. 4 swivelling castors, two with brakes, mm125 in diameter, fitted with plastic bumpers. Platform size mm600x600. Platform top height mm455. Load capacity: 100 kg, uniformly distributed.

### Main Features

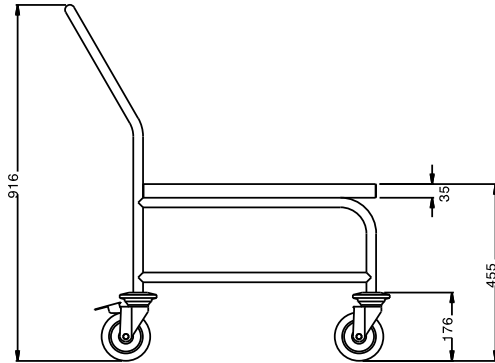
- Ideal to transport kitchenware and dishwashing racks.
- Framework in 25 mm tubing, completely welded.
- Load capacity of 100 kg uniformly distributed.
- Seamless sound-absorbing platform shelf with double-folded edges welded to the framework.
- Platform shelf size 600x600 mm.
- Handle is an extension of the load-bearing frame.
- 4 pivoting Ø 125 mm wheels, 2 of which with brakes, fitted with plastic bumpers

### Construction

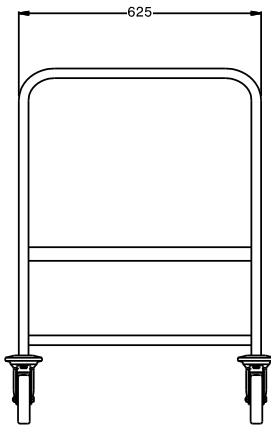
- Constructed entirely in 304 AISI stainless steel.

APPROVAL: \_\_\_\_\_

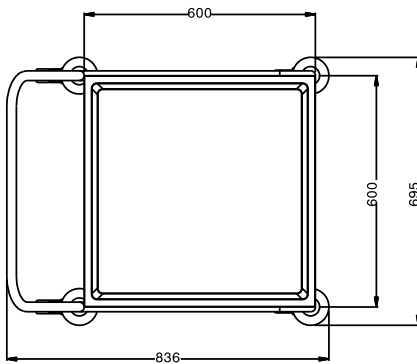
Front



Side



Top



**Key Information:**

<b>External dimensions, Width:</b>	
<b>361236 (STR601HP)</b>	695 mm
<b>External dimensions, Depth:</b>	840 mm
<b>External dimensions, Height:</b>	975 mm
<b>Wheel material:</b>	Zinc plated
<b>Wheel diameter:</b>	Ø 125
<b>Net weight:</b>	ISO 9001; ISO 14001 kg